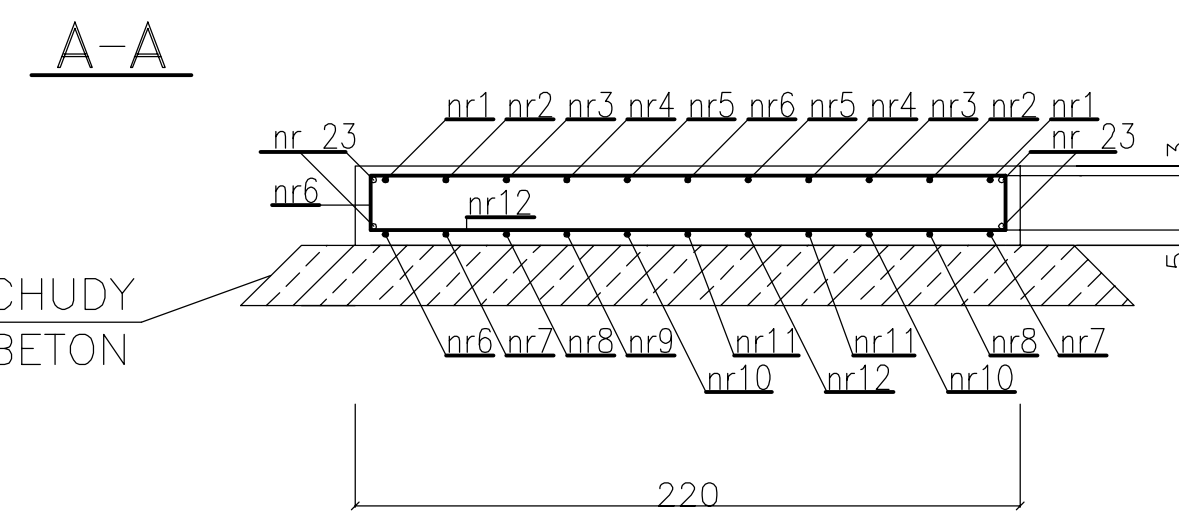
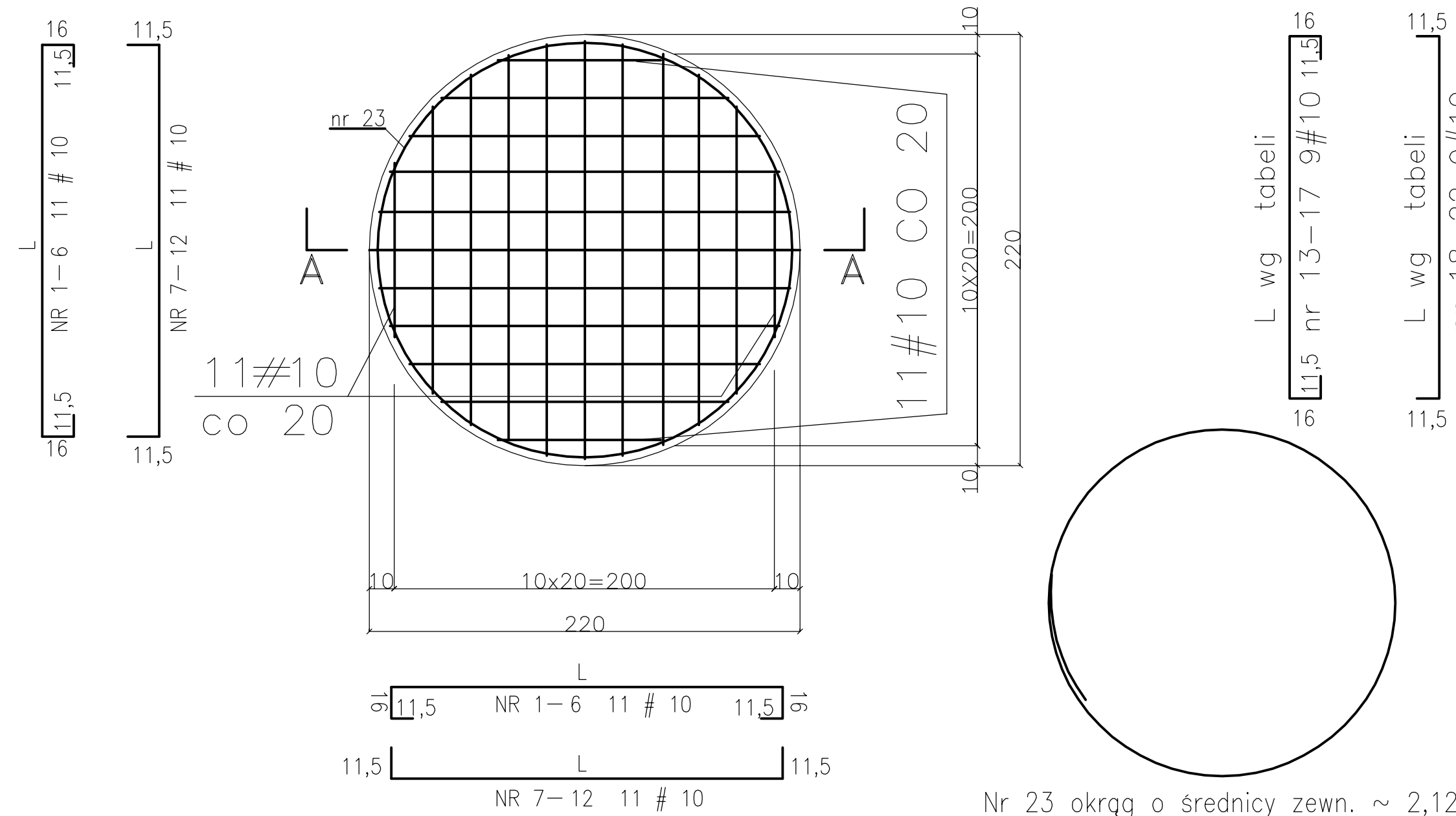


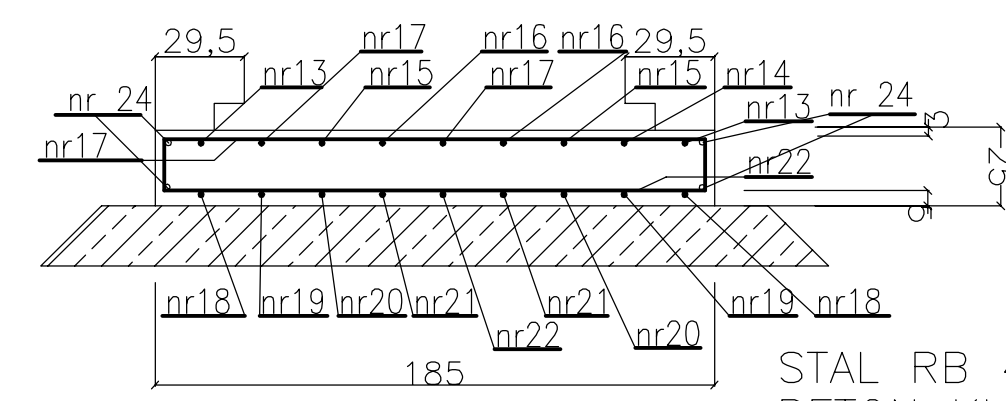
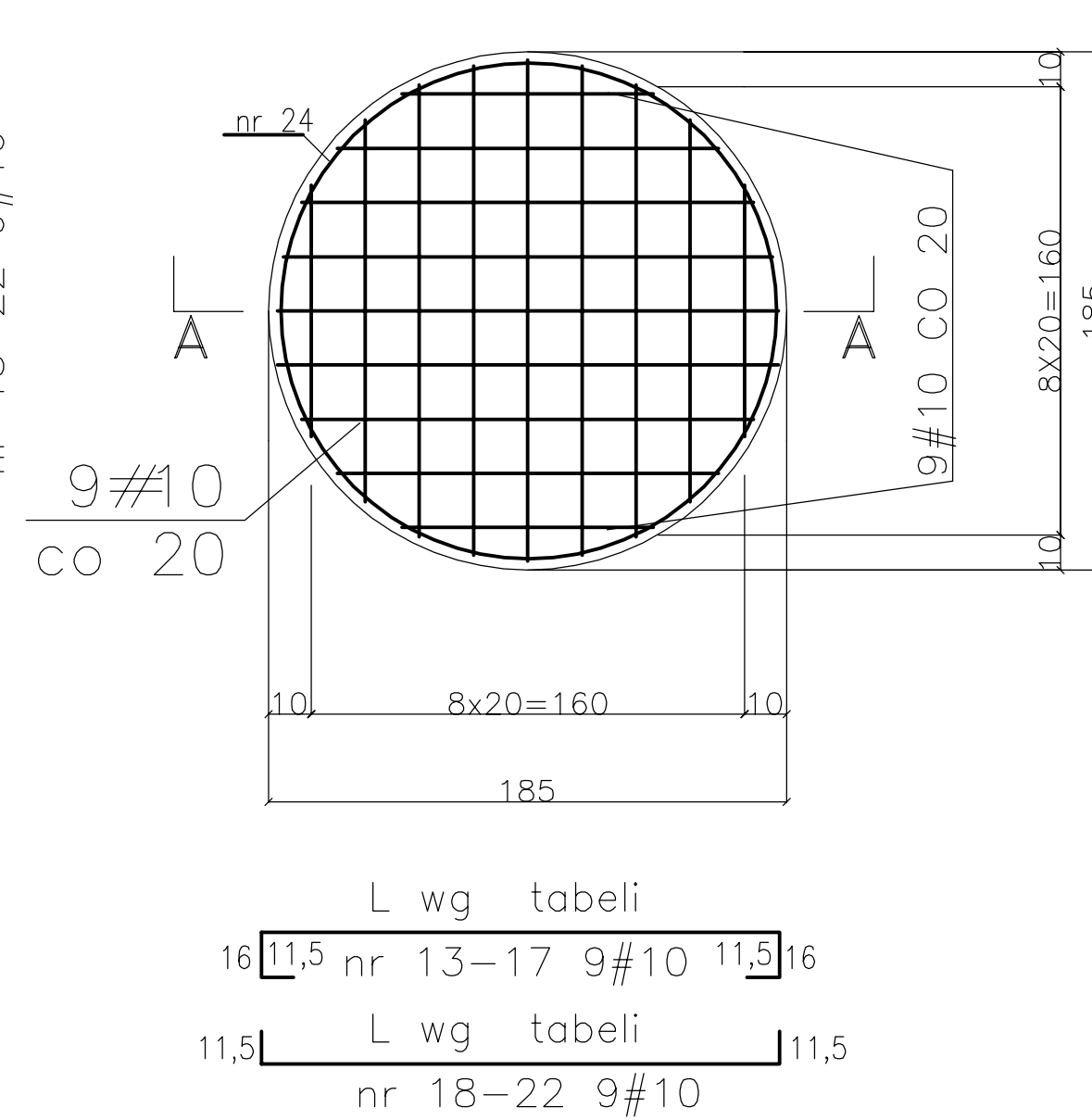
POMPOWIA P2N, PB - $\phi 1500mm$
 PLYTA FUNDAMENTOWA - ZBROJENIE GÓRNE I DOLNE



Nr 23 okrąg o średnicy zewn. $\sim 2,12$ m,
 zakład 25 cm 2 fi 6 L = $\sim 6,90$ m
 Nr 24 okrąg o średnicy zewn. $\sim 1,77$ m,
 zakład 25 cm 2 fi 6 L = $\sim 5,80$ m

STAL RB 400 W
 BETON KL. C25/30
 Otulina - dołem 50 mm,
 góra i z boku - 30 mm

POMPOWIA PG, P1N, P3N $\phi 1200mm$
 PLYTA FUNDAMENTOWA - ZBROJENIE GÓRNE I DOLNE



STAL RB 400 W
 BETON KL. C25/30
 Otulina - dołem 50 mm,
 góra i z boku - 30 mm

UWAGA:
 WARTOŚCI PODANE W TABELACH ODPOWIAJĄ SIĘ DO JEDNEJ
 PLYTY DLA POSZCZEGÓLNYCH POMPOWNI

ZBROJENIE PLYTY POD PRZEPOMPOWNIA $\phi 1500$

Nr pręta	C-1500					C-1200				
	Średnica	Kształt	Ilość	L	M	Średnica	Kształt	Ilość	L	M
1	#10	1,51	4	10	40	10	#10	1,51	4	40
2	#10	1,91	4	10	39	10	#10	1,91	4	39
3	#10	2,33	4	10	38	10	#10	2,33	4	38
4	#10	2,75	4	10	37	10	#10	2,75	4	37
5	#10	3,18	4	10	36	10	#10	3,18	4	36
6	#10	3,60	4	10	35	10	#10	3,60	4	35
7	#10	4,02	4	10	34	10	#10	4,02	4	34
8	#10	4,45	4	10	33	10	#10	4,45	4	33
9	#10	4,87	4	10	32	10	#10	4,87	4	32
10	#10	5,30	4	10	31	10	#10	5,30	4	31
11	#10	5,72	4	10	30	10	#10	5,72	4	30
12	#10	6,15	4	10	29	10	#10	6,15	4	29
13	#10	6,57	4	10	28	10	#10	6,57	4	28
14	#10	7,00	4	10	27	10	#10	7,00	4	27
15	#10	7,42	4	10	26	10	#10	7,42	4	26
16	#10	7,85	4	10	25	10	#10	7,85	4	25
17	#10	8,27	4	10	24	10	#10	8,27	4	24
18	#10	8,70	4	10	23	10	#10	8,70	4	23
19	#10	9,12	4	10	22	10	#10	9,12	4	22
20	#10	9,55	4	10	21	10	#10	9,55	4	21
21	#10	9,97	4	10	20	10	#10	9,97	4	20
22	#10	10,40	4	10	19	10	#10	10,40	4	19
23	#10	10,82	4	10	18	10	#10	10,82	4	18
24	#10	11,25	4	10	17	10	#10	11,25	4	17
25	#10	11,67	4	10	16	10	#10	11,67	4	16
26	#10	12,10	4	10	15	10	#10	12,10	4	15
27	#10	12,52	4	10	14	10	#10	12,52	4	14
28	#10	12,95	4	10	13	10	#10	12,95	4	13
29	#10	13,37	4	10	12	10	#10	13,37	4	12
30	#10	13,80	4	10	11	10	#10	13,80	4	11
31	#10	14,22	4	10	10	10	#10	14,22	4	10
32	#10	14,65	4	10	9	10	#10	14,65	4	9
33	#10	15,07	4	10	8	10	#10	15,07	4	8
34	#10	15,50	4	10	7	10	#10	15,50	4	7
35	#10	15,92	4	10	6	10	#10	15,92	4	6
36	#10	16,35	4	10	5	10	#10	16,35	4	5
37	#10	16,77	4	10	4	10	#10	16,77	4	4
38	#10	17,20	4	10	3	10	#10	17,20	4	3
39	#10	17,62	4	10	2	10	#10	17,62	4	2
40	#10	18,05	4	10	1	10	#10	18,05	4	1
41	#10	18,47	4	10	0	10	#10	18,47	4	0
42	#10	18,90	4	10	0	10	#10	18,90	4	0
43	#10	19,32	4	10	0	10	#10	19,32	4	0
44	#10	19,75	4	10	0	10	#10	19,75	4	0
45	#10	20,17	4	10	0	10	#10	20,17	4	0
46	#10	20,60	4	10	0	10	#10	20,60	4	0
47	#10	21,02	4	10	0	10	#10	21,02	4	0
48	#10	21,45	4	10	0	10	#10	21,45	4	0
49	#10	21,87	4	10	0	10	#10	21,87	4	0
50	#10	22,30	4	10	0	10	#10	22,30	4	0
51	#10	22,72	4	10	0	10	#10	22,72	4	0
52	#10	23,15	4	10	0	10	#10	23,15	4	0
53	#10	23,57	4	10	0	10	#10	23,57	4	0
54	#10	24,00	4	10	0	10	#10	24,00	4	0
55	#10	24,42	4	10	0	10	#10	24,42	4	0
56	#10	24,85	4	10	0	10	#10	24,85	4	0
57	#10	25,27	4	10	0	10	#10	25,27	4	0
58	#10	25,70	4	10	0	10	#10	25,70	4	0
59	#10	26,12	4	10	0	10	#10	26,12	4	0
60	#10	26,55	4	10	0	10	#10	26,55	4	0
61	#10	26,97	4	10	0	10	#10	26,97	4	0
62	#10	27,40	4	10	0	10	#10	27,40	4	0
63	#10	27,82	4	10	0	10	#10	27,82	4	0
64	#10	28,25	4	10	0	10	#10	28,25	4	0
65	#10	28,67	4	10	0	10	#10	28,67	4	0
66	#10	29,10	4	10	0	10	#10	29,10	4	0
67	#10	29,52	4	10	0	10	#10	29,52	4	0
68	#10	29,95	4	10	0	10	#10	29,95	4	0
69	#10	30,37	4	10	0	10	#10	30,37	4	0
70	#10	30,80	4	10	0	10	#10	30,80	4	0
71	#10	31,22	4	10	0	10	#10	31,22	4	0
72	#10	31,65	4	10	0	10	#10	31,65	4	0
73	#10	32,07	4	10	0	10	#10	32,07	4	0
74	#10	32,50	4	10	0	10	#10	32,50	4	0
75	#10	32,92	4	10	0	10	#10	32,92	4	0
76	#10	33,35	4	10	0	10	#10	33,35	4	0
77	#10	33,77	4	10	0	10	#10	33,77	4	0
78	#10	34,20	4	10	0	10	#10	34,20	4	0
79	#10	34,62	4	10	0	10	#10	34,62	4	0
80	#10	35,05	4	10	0	10	#10	35,05	4	0
81	#10	35,47	4	10	0	10	#10	35,47	4	0
82	#10	35,90	4	10	0	10	#10	35,90	4	0
83	#10	36,32	4	10	0	10	#10	36,32	4	0
84	#10	36,75	4	10	0	10	#10	36,75	4	0
85	#10	37,17	4	10	0	10	#10	37,17	4	0
86	#10	37,60	4	10	0	10	#10	37,60	4	0
87	#10	38,02	4	10	0	10	#10	38,02	4	0
88	#10	38,45	4	10	0	10	#10	38,45	4	0
89	#10	38,87	4	10	0	10	#10	38,87	4	0
90	#10	39,30	4	10	0	10	#10	39,30	4	0
91	#10	39,72	4	10	0	10	#10	39,72	4	0
92	#10	40,15	4	10	0	10	#10	40,15	4	0
93	#10	40,57	4	10	0	10	#10	40,57	4	0
94	#10	41,00	4	10	0	10	#10	41,00	4	0
95	#10	41,42	4	10	0	10	#10	41,42	4	0
96	#10	41,85	4	10	0	10	#10	41,85	4	0
97	#10	42,27	4	10	0	10	#10	42,27	4	0
98	#10	42,70	4	10	0	10	#10	42,70	4	0
99	#10	43,12	4	10	0	10	#10	43,12	4	0
100	#10	43,55	4	10	0	10	#10	43,55	4	0
101	#10	43,97	4	10	0	10	#10	43,97	4	0
102	#10	44,40	4	10	0	10	#10	44,40	4	0
103	#10	44,82	4	10	0	10	#10	44,82	4	0
104	#10	45,25	4	10	0	10	#10	45,25	4	0
105	#10	45,67	4	10	0	10	#10	45,67	4	0
106	#10	46,10	4	10	0	10	#10	46,10	4	0
107	#10	46,52	4	10	0	10	#10	46,52	4	0
108	#10	46,95	4	10	0	10	#10	46,95	4	0
109	#10	47,37	4	10	0	10	#10	47,37	4	0
110	#10	47,80	4	10	0	10	#10	47,80	4	0
111	#10	48,22	4	10	0	10	#10	48,22	4	0
112	#10	48,65	4	10	0	10	#10	48,65	4	0
113	#10	49,07	4	10	0	10	#10	49,07	4	0
114	#10	49,50	4	10	0	10	#10	49,50	4	0
115	#									